

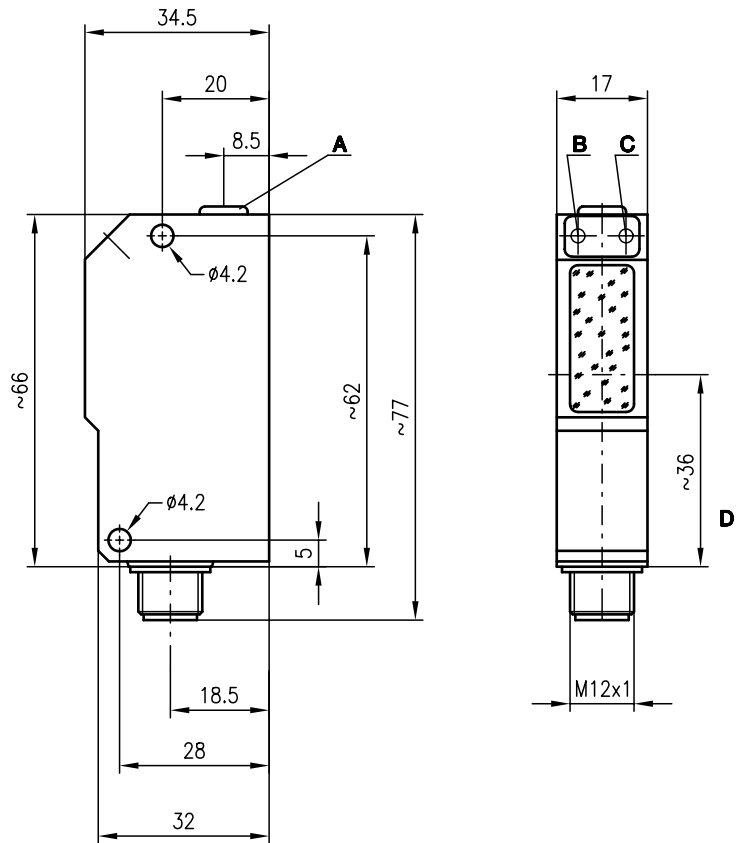


ILSR 95

Throughbeam photoelectric sensors



Dimensioned drawing



- A Sensitivity adjustment
- B Switching indicator yellow
- C Operation indicator green
- D Optical axis

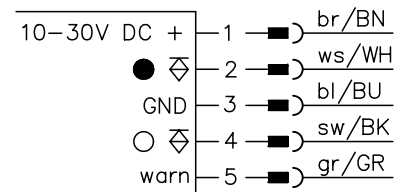
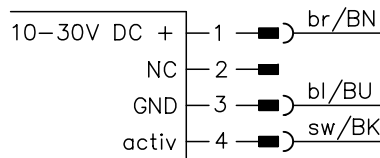


0 ... 18m



- Throughbeam photoelectric sensor with high performance reserve in red light
- High switching frequency for detection of fast events
- Small construction with glass cover and robust zinc diecast housing, protection class IP 67/IP 69K for industrial application
- Complementary switching outputs for light/dark switching or as a control function
- Very good alignment through wide switching lobe
- Sensitivity adjustment for optimal adaptation to the application

Electrical connection



Accessories:

(available separately)

- Mounting systems (BT 95, UMS 1)
- M12 connectors (KD ...)

We reserve the right to make changes • 95_a05e.fm



Specifications

Optical data

Typ. operating range limit ¹⁾	0 ... 18m
Operating range ²⁾	0 ... 12m
Light source	LED (modulated light)
Wavelength	660nm

Timing

Switching frequency	1000Hz
Response time	0.5ms
Delay before start-up	≤ 100ms

Electrical data

Operating voltage U_B	10 ... 30VDC (incl. residual ripple)
Residual ripple	≤ 15% of U_B
Bias current	≤ 35mA
Switching output	2 PNP transistor outputs, complementary
Function characteristics	light/dark switching
Signal voltage high/low	≥ ($U_B - 2V$) / ≤ 2V
Output current	max. 100mA
Sensitivity	adjustable with multiturn potentiometer

Indicators

LED green	ready
LED yellow	light path free
LED yellow flashing	light path free, no performance reserve

Mechanical data

Housing	diecast zinc
Optics cover	glass
Weight	90g
Connection type	M12 connector, stainless steel receiver 4-pin, transmitter 4-pin

Environmental data

Ambient temp. (operation/storage) ³⁾	25°C (-30°C) ... +60°C / -40°C ... +70°C
Protective circuit ⁴⁾	2, 3
VDE safety class ⁵⁾	II, all-insulated
Protection class	IP 67, IP 69K ⁶⁾
LED class	1 (acc. to EN 60825-1)
Standards applied	IEC 60947-5-2

Options

Activation input activ	
Transmitter active/not active	≥ 8V / ≤ 2V or not connected
Activation/disable delay	≤ 1ms
Input resistance	4.7kΩ ± 10%
Warning output autoControl warn	
Signal voltage high/low	PNP transistor, counting principle
Output current	≥ ($U_B - 2V$) / ≤ 2V max. 100mA

- 1) Typ. operating range limit: max. attainable range without performance reserve
- 2) Operating range: recommended range with performance reserve
- 3) -30°C with operating voltage continuously applied
- 4) 2=polarity reversal protection, 3=short-circuit protection for all outputs
- 5) Rating voltage 250 VAC
- 6) IP 69K test acc. to DIN 40050 part 9 simulated, high pressure cleaning conditions without the use of additives, acids and bases are not part of the test

Order guide

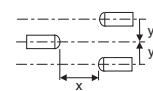
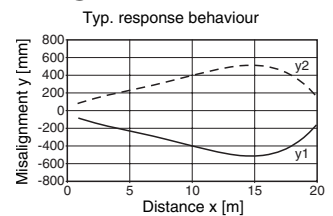
	Designation	Part No.
Transmitter and receiver	ILSR 95/44.8 L.1	
Transmitter	LSR 95/2.8 SE-L.1	500 34509
Receiver	ILSR 95/44 E-L.1	500 34510

Tables

0	12	18
---	----	----

<input type="checkbox"/>	Operating range [m]
<input type="checkbox"/>	Typ. operating range limit [m]

Diagrams



Remarks